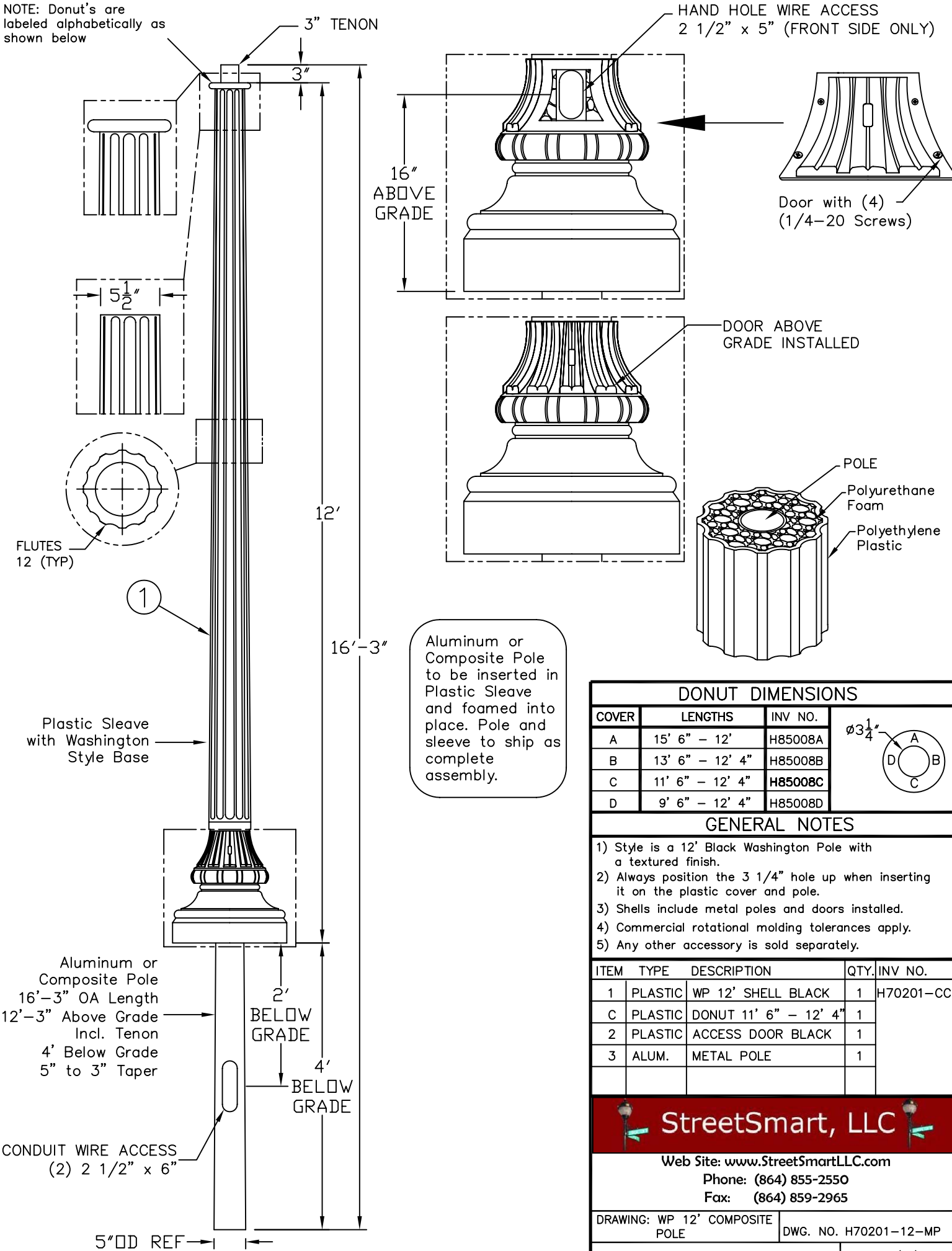


NOTE: Donut's are labeled alphabetically as shown below



Aluminum or Composite Pole to be inserted in Plastic Sleeve and foamed into place. Pole and sleeve to ship as complete assembly.

DONUT DIMENSIONS			
COVER	LENGTHS	INV NO.	
A	15' 6" - 12'	H85008A	
B	13' 6" - 12' 4"	H85008B	
C	11' 6" - 12' 4"	<b>H85008C</b>	
D	9' 6" - 12' 4"	H85008D	

- GENERAL NOTES**
- 1) Style is a 12' Black Washington Pole with a textured finish.
  - 2) Always position the 3 1/4" hole up when inserting it on the plastic cover and pole.
  - 3) Shells include metal poles and doors installed.
  - 4) Commercial rotational molding tolerances apply.
  - 5) Any other accessory is sold separately.

ITEM	TYPE	DESCRIPTION	QTY.	INV NO.
1	PLASTIC	WP 12' SHELL BLACK	1	H70201-CC
C	PLASTIC	DONUT 11' 6" - 12' 4"	1	
2	PLASTIC	ACCESS DOOR BLACK	1	
3	ALUM.	METAL POLE	1	

**StreetSmart, LLC**

Web Site: [www.StreetSmartLLC.com](http://www.StreetSmartLLC.com)  
 Phone: (864) 855-2550  
 Fax: (864) 859-2965

DRAWING: WP 12' COMPOSITE POLE	DWG. NO. H70201-12-MP
CONTACT: JIM THREATT	DATE: 2/2/06